

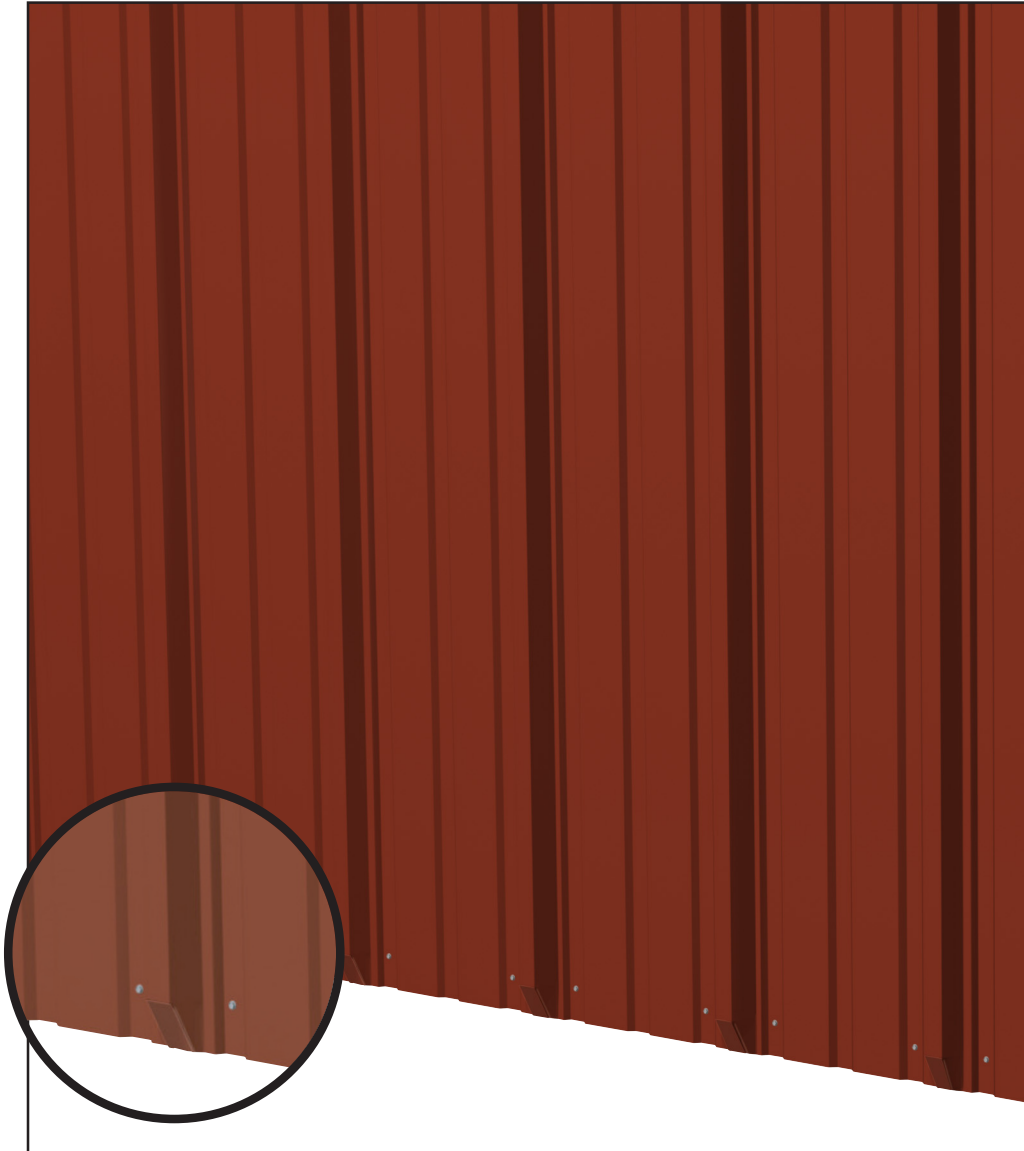
VP WALL SYSTEMS

STYLE

CRIMPED BASE PANEL RIB

FEATURES

REDUCE INSTALLATION COSTS WHILE ADDING PROTECTION AND AN AESTHETIC APPEARANCE FOR BASE WALL TRIM.



- Avoids expense of material and installation of notched metal and/or rubber closures
- Eliminates the need for painted base trim
- Avoids dirt retention and potential nesting of insects and varmints at sill flashing
- Eliminate snow and ice build up at sills

Exclusively from VP, this panel offers an attractive and cost effective base treatment for buildings, with additional benefits.



PANEL RIB WITH CRIMPED BASE OFFERS AN ECONOMICAL ENDWALL SOLUTION

CRIMPED BASE PANEL RIB WALL

VP's exclusive Crimped Base Panel Rib wall panel is designed to save time and headaches. Crimped Base Panel Rib saves installation time and cost of material, because it eliminates the need for notched metal or rubber closures. Using this panel also saves the building owner the need for painted base trim. And once constructed, the building doesn't want any uninvited guests. Crimped Base Panel Rib affords no openings for birds, and varmints to nest.

These 36" wide panels with 1 1/4"-high ribs also eliminate snow and ice dam buildup at the sills.

Crimped Base Panel Rib wall panel offers a crimped base at the concrete foundation and a notch at the eave. This results in a better weathertight seal at the base and eave and further savings through fewer trim and closure materials. The panels are attached with self-drilling, color-matched fasteners. Wall panels are standard in 26 gauge or 24 gauge steel, with a 22 gauge option. It is available in lengths up to 41'.

Panel Rib can effectively utilize up to 6" of blanket insulation as well as up to 2-1/2" of rigid board insulation. Therefore, your VP builder can assist you in selecting the optimal insulation approach, considering up-front costs and long term energy savings.

All gauges of Panel Rib are available in thirteen (13) standard colors with KXL finishes or four (4) color choices with SP finishes as well as a variety of custom colors.

The KXL paint system is a PVDF finish applied to the zinc or zinc aluminum coated steel to give a long-life color that resists fading and chalking. KXL is a 1 mil nom. PVDF finish with 70% Kynar® 500 or Hylar® 5000 standard. SP paint finish is a 1 mil. thermoset siliconized polyester coating system.

VP meets the highest standards and certifications in the industry, including AISC and Miami-Dade County, Florida Product Approved:

NOA #02-0417.01 expires 07/01/2007

For information about this or any other VP product or service, contact your local authorized VP Builder.



FEATURES

- Aesthetically pleasing
- Provides added protection from unwanted birds or pests
- Limits ice and snow buildup
- Reduces installation costs by eliminating the need for notched panel closures
- Eliminates base trim
- Available in standard VP Panel Rib colors

NOTE: ALL PANELS FORMED FROM LIGHT GAUGE METAL MAY EXHIBIT WAVINESS, ALSO KNOWN AS "OIL CANNING," COMMONLY OCCURRING IN, BUT NOT RESTRICTED TO, FLAT PORTIONS OF A PANEL. THIS INHERENT CHARACTERISTIC IS NOT A DEFECT OF MATERIAL OR MANUFACTURING AND IS NOT CAUSE FOR REJECTION.



The Ultimate Building Solution
VP Buildings
3200 Players Club Circle
Memphis, TN 38125
1-800-238-3246 • www.vp.com
2048 Revised 1/06



VP WALL PANELS

STYLE

PANEL RIB WALL

FEATURES

AN ATTRACTIVE, HIGH-QUALITY, LOW MAINTENANCE WALL PANEL FOR TIGHT BUDGETS



- Fast installation with self-drilling, color-matched fasteners
- Lengths up to 41' which can provide a continuous panel from eave to foundation
- Thirteen standard colors

Panel Rib wall is our most popular wall panel. It has proven durability and provides a classic look in a wide variety of colors.



VP'S PANEL RIB IS AN ATTRACTIVE, ECONOMICAL METAL WALL PANEL OPTION

PANEL RIB WALL

Panel Rib is our most economical wall system. In fact, this wall system is more economical than wood, concrete or masonry alternatives.

Panel Rib wall panels come standard in 26 gauge steel, with 24 gauge or 22 gauge options. The panel is 36" wide with 1-1/4" high ribs. It is available in lengths up to 41' which can provide a continuous panel from foundation to eave. This can eliminate the need for end laps and assures you of wall integrity and weather tightness.

Panel Rib also offers a crimped base and notched eaves for a better weathertight seal and reduced costs with fewer trim and closure materials required. The panels are attached with self drilling, color-matched fasteners.

Panel Rib can effectively utilize blanket insulation as well as up to 2-1/2" of rigid board insulation. Your VP builder can assist you in selecting the optimal insulation approach, considering up-front costs and long term energy savings.

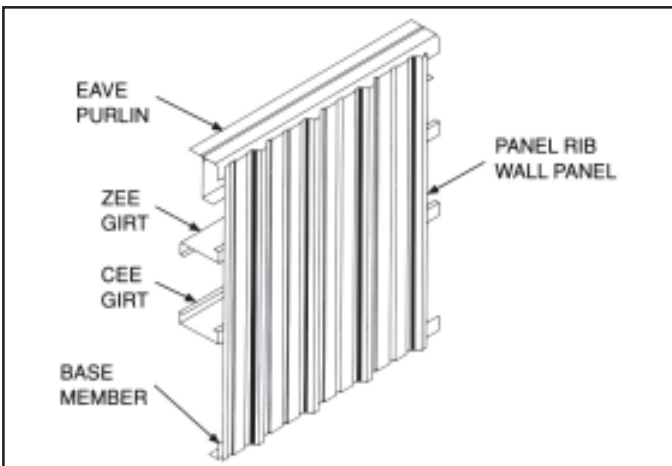
All gauges of Panel Rib are available in thirteen (13) standard colors with KXL finishes or four (4) color choices with SP finishes as well as a variety of custom colors.

The KXL paint system is a PVDF finish applied to the zinc or zinc aluminum coated steel to give a long-life color that resists fading and chalking. KXL is a 1 mil nom. PVDF finish with 70% Kynar® 500 or Hylar® 5000 standard. SP paint finish is a 1 mil. thermoset siliconized polyester coating system.

VP meets the highest standards and certifications in the industry, including AISC and Miami-Dade County, Florida Product Approved:

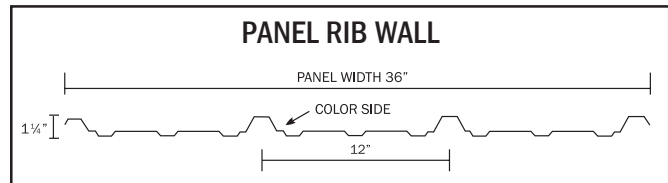
NOA #02-0417.01 expires 07/01/2007

For information about this or any other VP product or service, contact your local authorized VP Builder.



FEATURES

- 1-1/4" high ribs
- Fast installation
- 26 gauge painted Galvalume® steel standard with 24 and 22 gauge options
- Economical
- 36" coverage with lengths up to 41 ft.



NOTE: ALL PANELS FORMED FROM LIGHT GAUGE METAL MAY EXHIBIT WAVINESS, ALSO KNOWN AS "OIL CANNING," COMMONLY OCCURRING IN, BUT NOT RESTRICTED TO, FLAT PORTIONS OF A PANEL. THIS INHERENT CHARACTERISTIC IS NOT A DEFECT OF MATERIAL OR MANUFACTURING AND IS NOT CAUSE FOR REJECTION.



The Ultimate Building Solution
VP Buildings
3200 Players Club Circle
Memphis, TN 38125
1-800-238-3246 • vp.com
2057 Revised 12/05

